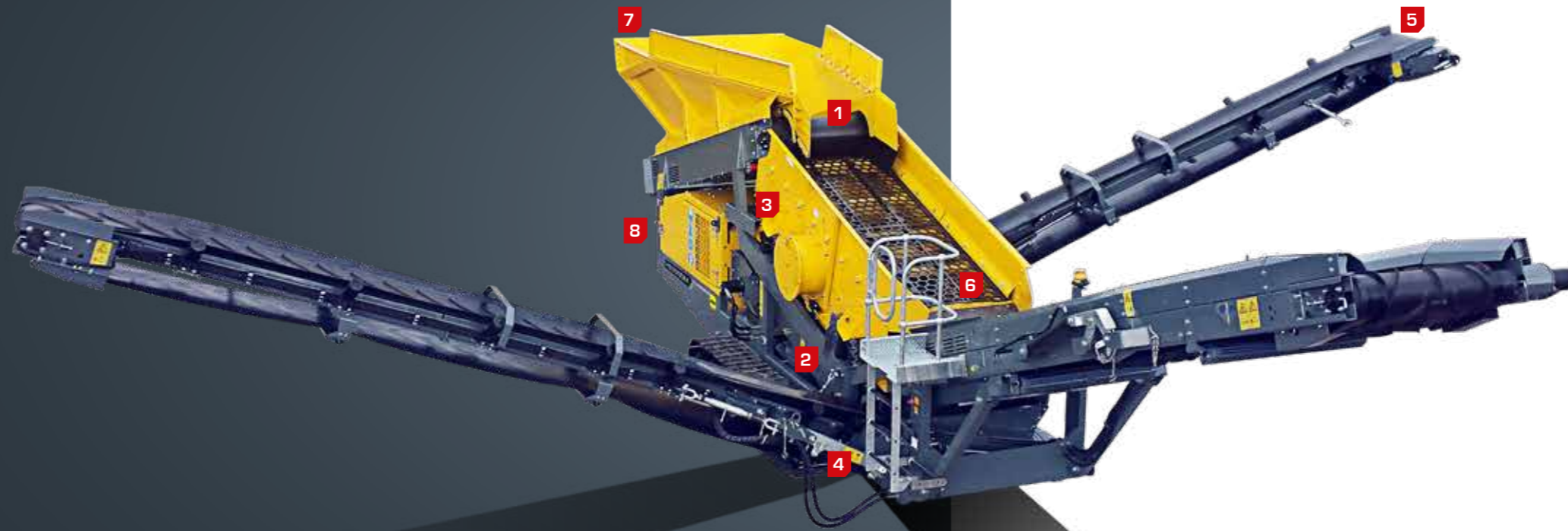


HS SERIES

SCALPER SCREENS

The RUBBLE MASTER HS-Series Scalper Screen performs brilliantly across a wide range of applications such as heavy-duty construction, demolition and remediation projects as well as topsoil, sand & gravel and mulch. The scalper screens are the perfect tool for stand-alone screening, scalping before a crusher or sizing materials after the crushing process.



Ground-Based Service

Service work with operator's feet on the ground.



Large feed hopper

Easy feeding with an excavator or wheel loader.



Multiple Screen Setups

The top deck can be equipped with square mesh, heavy-duty punch plate, finger screens, or bofor bars.



Easy Conveyor Belt Setup

Easy setup and tear down with easy to use safety pins and brackets.



Hydraulic Folding Conveyor Belts

Over top folding ensures maximum conveyor belt lifetime.



Belt feeder

Feed conveyor belt for heavy duty applications. Adjustable feed speed.



Heavy Duty Belting

Heavy-duty multi-ply belt for increased service life. Adjustable belt speed to reduce roll-back.



High Energy Screen-Box

Strongest screen-action in industry with amplitude up to .4" (10 mm) Adjustable screen inclination (except RM HS3500M)

HS-SERIES

SCALPER SCREEN

	RM HS3500M	RM HS5000M	RM HS7500M	RM HS11000M
Screenbox	4' x 9'	5' x 12'	5' x 16'	6' x 20'
Screenbox angle	14°	15° - 20°	15° - 20°	13° - 17°
Feed hopper, volume	6.5 yd ³ 5 m ³	7.8 yd ³ 6 m ³	11.3 yd ³ 8.7 m ³	11.3 yd ³ 8.7 m ³
Feed hopper, belt width	41" 1,050 mm	51" 1,300 mm	55" 1,400 mm	55" 1,400 mm
Oversize material discharge belt width	41" 1,050 mm	48" 1,200 mm	63" 1,600 mm	63" 1,600 mm
Oversize material discharge height	11' 3" 3,430 mm	8' 6" - 12' 3" 2,580 - 3,735 mm	9' 9" - 12' 4" 2,980 - 3,750 mm	8'10" - 12'10" 2,700 - 3,900 mm
Mid-size material discharge belt width	26" 650 mm	31" 800 mm	36" 900 mm	40" 1,000 mm
Mid-size material discharge height	10' 4" 3,145 mm	12' 3,670mm	12' 5" 3,780 mm	10' 2" 3,100 mm
Fines discharge belt width	26" 650 mm	31" 800 mm	36" 900 mm	42" 1,050 mm
Fines discharge height	10' 4" 3,145 mm	12' 8" 3,870mm	13' 5" 4,080 mm	12' 1" 3,700 mm
Transport dimensions (LxWxH)	32' 5" x 8' 5" x 10' 6" 9,880 x 2,550 x 3,190 mm	44'1" x 8'9" x 10'6" 13,440 x 2,730 x 3,200 mm	49' 3" x 9' 7" x 11' 3" 15,005 x 2,920 x 3,430 mm	53' 8" x 9' 10" x 11' 8" 16,345 x 3,000 x 3,550 mm
Weight, basic machine	36,400 lbs 16,500 kg	54,000 lbs 24,500 kg	72,800 lbs 33,000 kg	86,000 lbs 39,000 kg
Engine	75 HP 55 kw (Tier 4F)	130 HP 97 kw (Tier 4F)	130 HP 97 kw (Tier 4F)	225 HP 68 kw (Tier 4F)



APPLICATIONS

SOIL/TOPSOIL



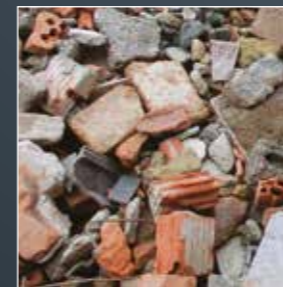
Screened topsoil

GRAVEL & SHOT ROCK



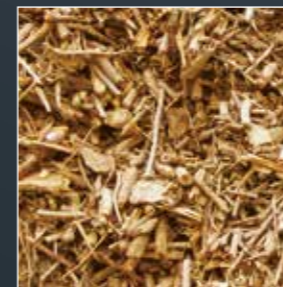
Up to 3 finished products

C&D WASTE



Segregate dirt and fines

MULCH & WOODCHIPS



Sized finished product

MSC SERIES

INCLINE SCREENS

The RUBBLE MASTER MSC-Series Incline Screens are highly efficient across a wide range of applications such as sand & gravel, topsoil, crushed aggregates and many more. The incline screens are available in 2 or 3 deck configurations.



Tipping Grid

Activated via radio remote control.



Quick Wedge Tensioning

Fast and easy change of screen cloths keep setup times to a minimum.



Large Engine Compartment Doors

Safe and easy ground based service of engine and hydraulics.



Main Conveyor

41" main conveyor for high capacity material transfer.



Fast Access to Screen Decks

Keeps setup times to a minimum.



Optional Rinser Kit

Includes spray bars and catch-box for fines. Available for RM MSC8500M and RM MSC10500M.



High Energy Screen-Box

Strongest screen-action in industry with amplitude up to .4" (10 mm) Adjustable screen inclination.



Hydraulic Adjustments

Fast and easy hydraulic adjustment of the screen-box angle to optimize screen effectiveness.



Large 12yd³ Feed Hopper

Designed to be fed with wide loader buckets.

MSC-SERIES

INCLINE SCREEN

	RM MSC5700M	RM MSC6500M	RM MSC8500M	RM MSC10500M
Screenbox	5' x 12'	5' x 14'	5' x 18'	5' x 22'
Screenbox angle	25° - 35°	18° - 30°	20° - 30°	20° - 30°
Feed bunker, volume	12yd ³ 9 m ³	12yd ³ 9 m ³	12yd ³ 9 m ³	12yd ³ 9 m ³
Feed conveyor	41" 1,050 mm	41" 1,050 mm	41" 1,050 mm	41" 1,050 mm
Fines discharge conveyor width	48" 1,200 mm	48" 1,200 mm	48" 1,200 mm	48" 1,200 mm
Mid-size and oversize discharge conveyor width	26" 650 mm	26" 650 mm	31" 800 mm	31" 800 mm
Engine	130 HP 97 kw (Tier 4F)	130 HP 97 kw (Tier 4F)	130 HP 97 kw (Tier 4F)	130 HP 97 kw (Tier 4F)
Specs 2 Decks				
Fines discharge height	10' 9" - 14' 11" 3,300 - 4,555 mm	n/a	12' 4" - 16' 3" 3,750 - 4,960 mm	14' 1" - 18' 7" 4,300 - 5,675 mm
Mid-size and oversize discharge height	16' 6" 5,050 mm	n/a	16' 8" 5,100 mm	16' 8" 5,100 mm
Transport dimensions (LxWxH)	52' x 9' 11" x 10' 11" 15,850 x 3,000 x 3,330 mm	n/a	57' 11" x 9' 11" x 11' 2" 17,650 x 3,000 x 3,400 mm	61' 11" x 9' 11" x 11' 2" 18,850 x 3,000 x 3,400 mm
Weight	60,000 lbs 26,800 kg	n/a	70,550 lbs 32,000 kg	72,750 lbs 33,000 kg
Specs 3 Decks				
Fines discharge height	n/a	10' 8" - 14' 3,250 - 4,280 mm	12' 9" - 16' 6" 3,880 - 5,025 mm	15' 5" - 18' 9" 4,700 - 5,725 mm
Mid-size and oversize discharge height	n/a	16' 9" 5,120 mm	15' 1" 4,615 mm	16' 8" 5,100 mm
Transport dimensions (LxWxH)	n/a	53' 3" x 9' 11" x 11' 1" 16,220 x 3,000 x 3,385 mm	57' 10" x 9' 11" x 11' 8" 17,610 x 3,000 x 3,550 mm	61' 11" x 9' 11" x 11' 6" 18,860 x 3,000 x 3,500 mm
Weight	n/a	70,550 lbs 32,000 kg	76,100 lbs 34,500 kg	78,300 lbs 35,500 kg



APPLICATIONS

CRUSHED PRODUCTS

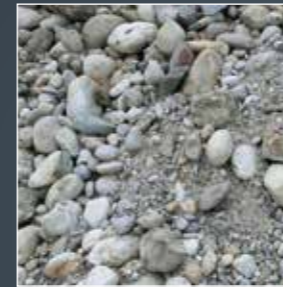


RM MSC6500M splitting up crushed material in 3 finished products



Screened crushed product

SAND & GRAVEL



RM MSC5700M screening bank gravel



Screened gravel

ASPHALT MILLINGS



RM MSC8500M triple deck screening RAP



Coarse RAP and fine RAP

WASHED SAND & GRAVEL



RM MSC10500M screening & washing gravel



Washed sand & gravel